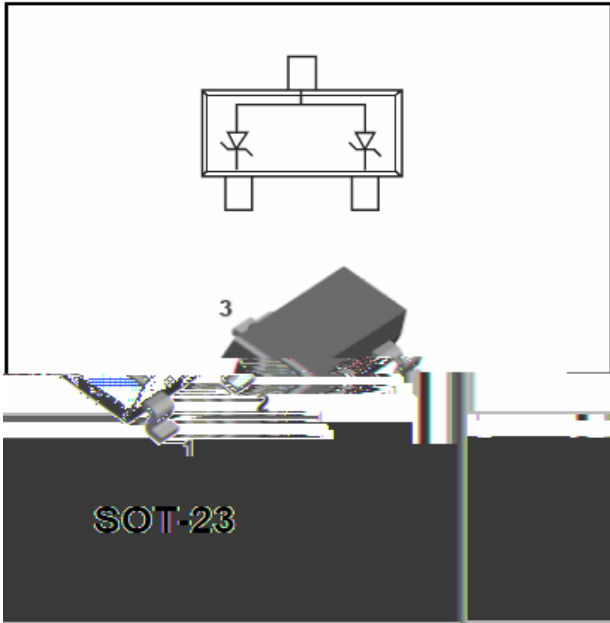


## Zener Diode



### Features


### Ordering Information (Example)

PREFERED P/N	PACKING CODE	UNIT WEIGHT(g)	MINIMUM PACKAGE(pcs)	INNER BOX QUANTITY(pcs)	OUTER CARTON QUANTITY(pcs)	DELIVERY MODE

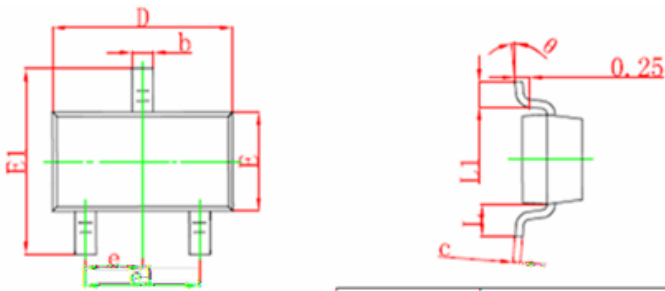






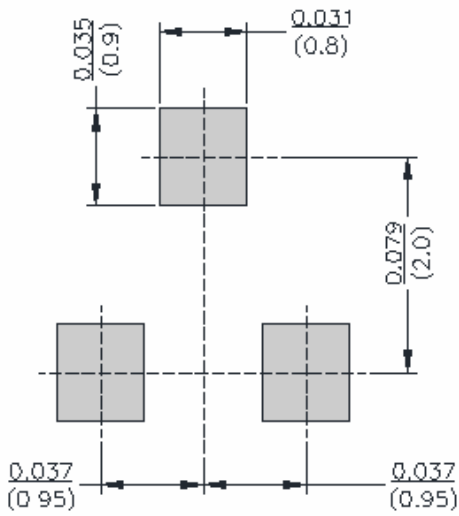
# AZ23C2V4-AZ23C47

## SOT-23 Package Outline Dimensions



Symbol	Dimensions In Millimeters		Dimensions In Inches	
	Min	Max	Min	Max
A	0.900	1.350	0.035	0.053
B	0.700	0.700	0.028	0.028
C	0.300	0.300	0.012	0.012
D	0.300	0.300	0.012	0.012
E	0.900	1.170	0.035	0.046
F	0.400	0.417	0.016	0.016
G	0.550	0.550	0.022	0.022
H	0.300	0.300	0.012	0.012
I	0.500	0.500	0.020	0.020
J	0.300	0.300	0.012	0.012
K	0.300	0.300	0.012	0.012
L	0.300	0.300	0.012	0.012
M	0.300	0.300	0.012	0.012
N	0.300	0.300	0.012	0.012
O	0.300	0.300	0.012	0.012
P	0.300	0.300	0.012	0.012
Q	0.300	0.300	0.012	0.012
R	0.300	0.300	0.012	0.012
S	0.300	0.300	0.012	0.012
T	0.300	0.300	0.012	0.012
U	0.300	0.300	0.012	0.012
V	0.300	0.300	0.012	0.012
W	0.300	0.300	0.012	0.012
X	0.300	0.300	0.012	0.012
Y	0.300	0.300	0.012	0.012
Z	0.300	0.300	0.012	0.012

## SOT-23 Suggested Pad Layout





**Disclaimer**